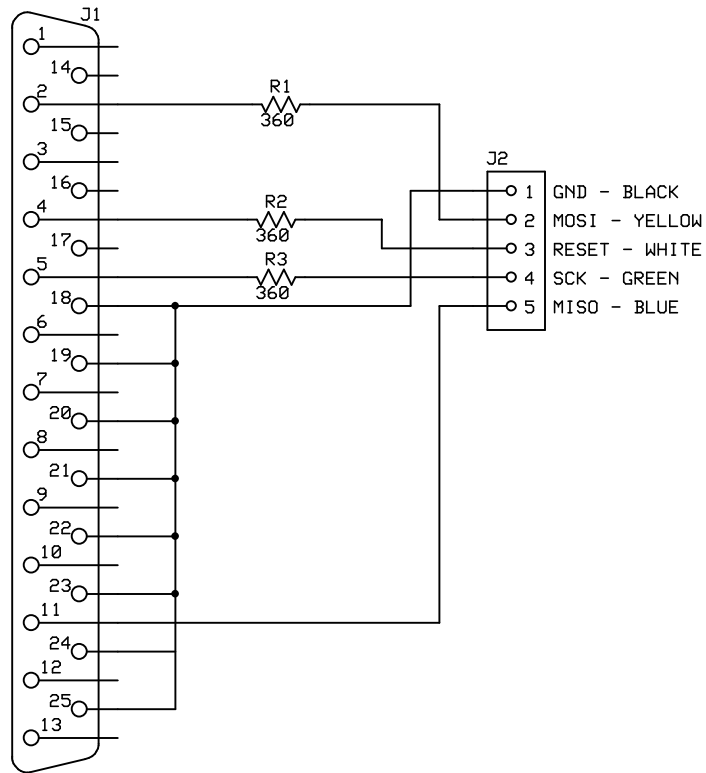


Passive AVR Programmer

This programmer is based on the Sample Electronics Programmer that is illustrated in the Bascom Help file.



Notes:

This programmer may not work with all computers.

R1, R2, R3 are current limiters that protect the AVR chip.

They can range from 220 ohm to 360 ohm, or omitted altogether.

Passive Electronics Programmer

Wright Hobbies

Eddy Wright

Rev 1.2

10/3/2006