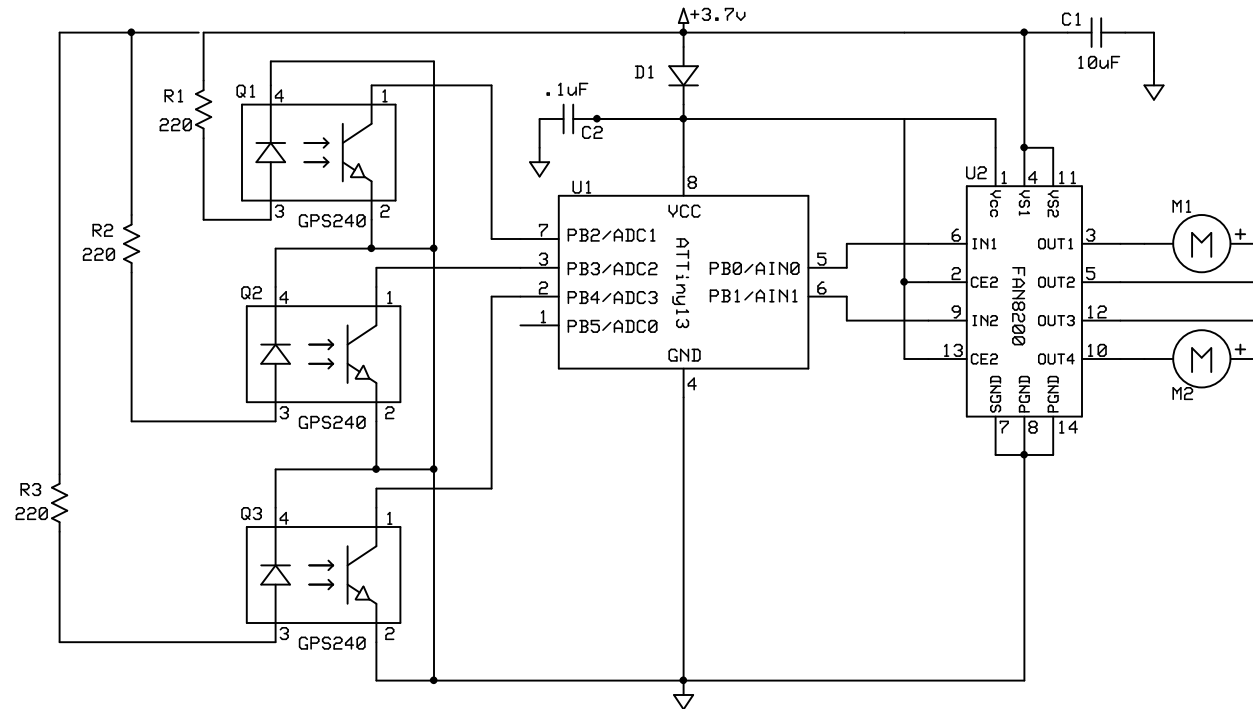


NOTES

H-BRIDGE IS CONFIGURED FOR
 LOCKED ANTI-PHASE OPERATION
 MOTORS WILL SPIN BRIEFLY WHEN
 POWER IS APPLIED
 INTERNAL PULLUP RESISTORS ARE
 USED FOR PB2, PB3 AND PB4
 FAN8200 IS LIMITED TO 650MA



Wright Hobbies, LLC	
MicroBot Ultra-Small Line Follower	
Eddy Wright	Rev 2.0 2/27/2005