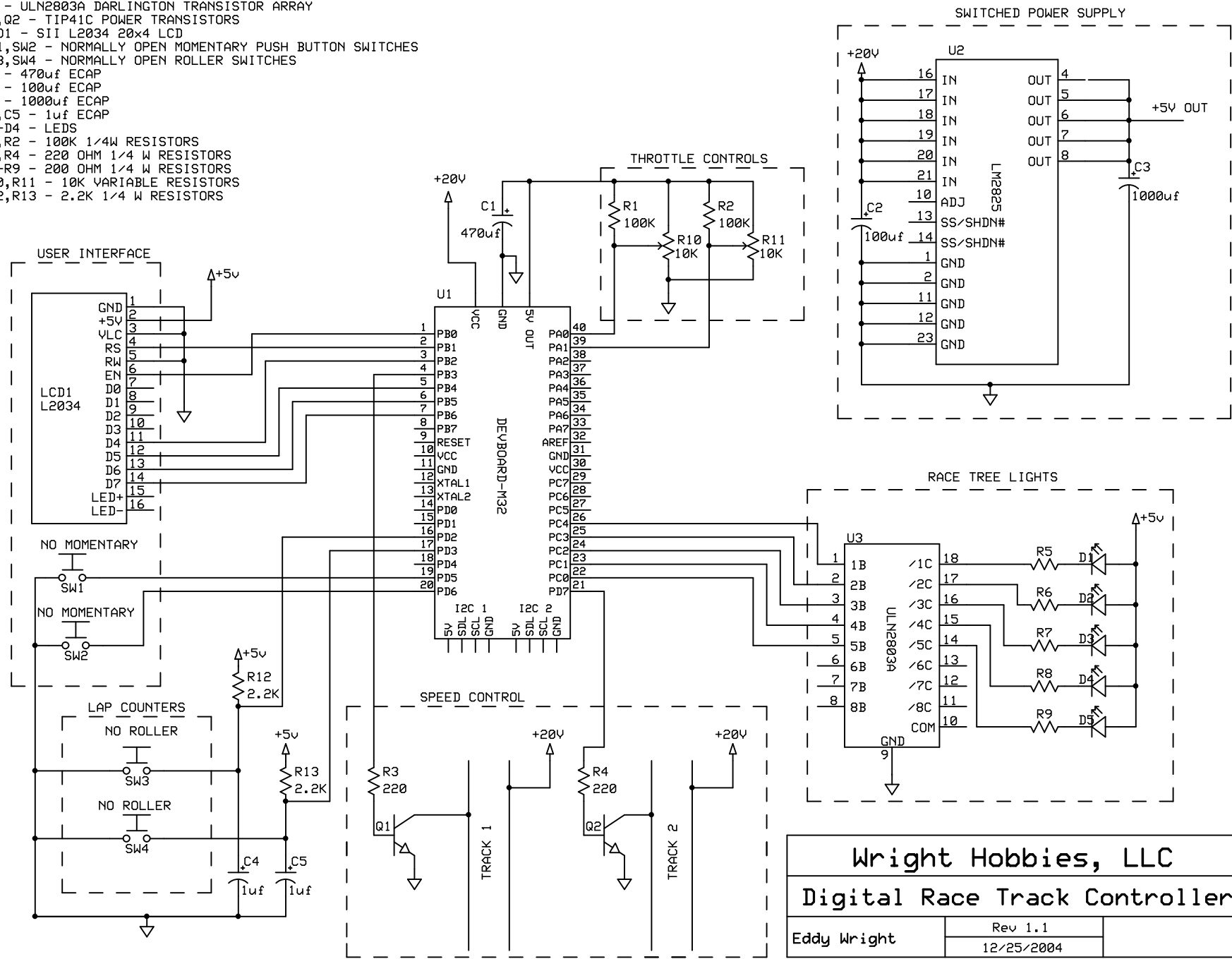


PARTS:

- U1 - DEVBOARD-M32 CONTROLLER AVAILABLE AT [HTTP://WWW.WRIGHTOBBIES.NET](http://www.wrightobbies.net)
- U2 - NATIONAL 2825 SWITCHING POWER REGULATOR
- U3 - ULN2803A DARLINGTON TRANSISTOR ARRAY
- Q1,Q2 - TIP41C POWER TRANSISTORS
- LCD1 - SII L2034 20x4 LCD
- SW1,SW2 - NORMALLY OPEN MOMENTARY PUSH BUTTON SWITCHES
- SW3,SW4 - NORMALLY OPEN ROLLER SWITCHES
- C1 - 470uf ECAP
- C2 - 100uf ECAP
- C3 - 1000uf ECAP
- C4,C5 - 1uf ECAP
- D1-D4 - LEDES
- R1,R2 - 100K 1/4W RESISTORS
- R3,R4 - 220 OHM 1/4 W RESISTORS
- R5-R9 - 200 OHM 1/4 W RESISTORS
- R10,R11 - 10K VARIABLE RESISTORS
- R12,R13 - 2.2K 1/4 W RESISTORS



Wright Hobbies, LLC	
Digital Race Track Controller	
Eddy Wright	Rev 1.1 12/25/2004